

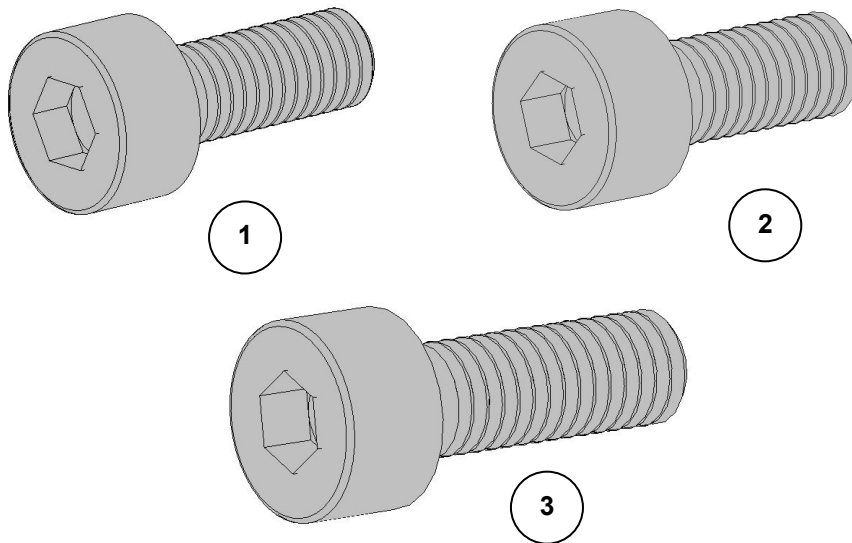
P/N GS24625 Essential Spares Kit for the A2.5 Size Atmos Gas Cells
P/N GS24602 Series

This kit of parts contains some spares that could be considered “essential for use” to keep the Specac Atmos A2.5 size gas cells P/N GS24602 Series in correct working order. The screw fixing parts chosen for this kit may help for their accessibility should there be accidental loss or breakage of the specific part, to minimise delays in any potential operational downtime.

The parts contained in this kit are:

- 1** P/N 375-184 M3 x 8mm cap head high tensile plated fixing screw (6 off). (Correspond with fixing screws bubble number **(29)** in User Instruction Manual for Atmos gas cells.)
- 2** P/N 375-295 M4 x 10mm cap head high tensile plated fixing screw (5 off). (Correspond with fixing screws bubble number **(38)** in User Instruction Manual for Atmos gas cells.)
- 3** P/N 375-296 M4 x 12mm cap head high tensile plated fixing screw (6 off). (Correspond with fixing screws bubble number **(36)** in User Instruction Manual for Atmos gas cells.)

The screw parts are identifiable from their images below against the corresponding listed numbers.



These parts images are as close as possible to represent the same scale for respective size to each other.