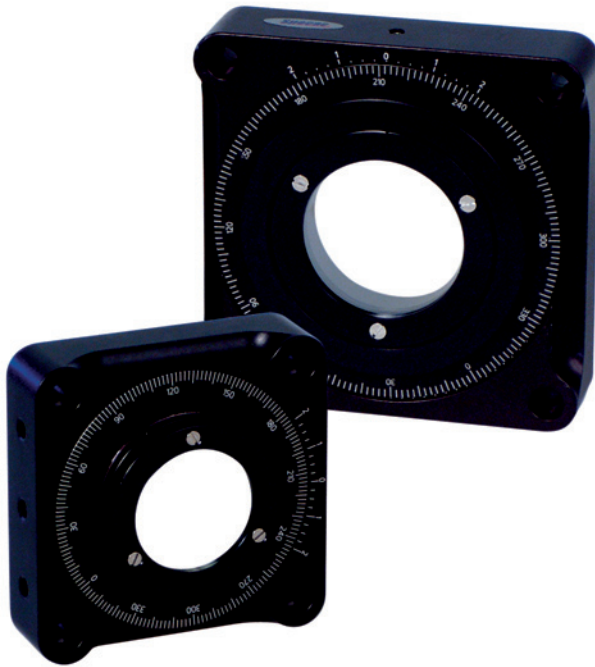


Rotators

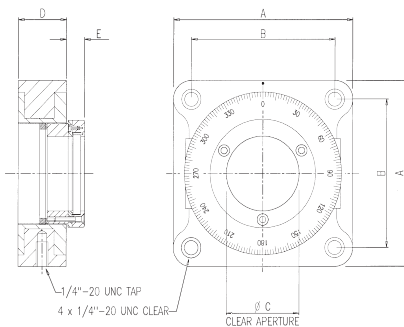


These precision rotators are designed for mounting substrate polarizers. They feature dual thrust roller bearing construction for stiffness and positive feel.

The apertures are threaded right through allowing optical components to be mounted between two threaded retaining rings and two Delrin cushion washers.

Graduated in 2 degree intervals these rotators can either be post or bench mounted.

Ordering Info.



	A	B	C	D	E
GS57340	95	76.2	25.5	25.4	6
GS57350	95	76.2	38.5	25.4	9.7
GS57360	121	101.6	50.5	28	6
GS57370	121	101.6	67	28	15.7

- Illustrations, descriptions and specifications in this data sheet were correct at the time of going to press. However, Specac's policy is one of continuous product development and we reserve the right to change descriptions and specifications at any time. For the latest details please contact your local Specac office or representative.

SPECAC LTD.,
 River House, 97 Cray Ave, St. Mary Cray, Orpington,
 Kent, BR5 4HE UK
 T : +44 (0)1689 873134 F : +44 (0)1689 878527
 E : sales@specac.co.uk Registered in England No. 1008689

SPECAC INC.,
 50 Sharpe Drive, Cranston, RI 02920 USA
 T : Toll Free +1 800 447 2558
 E : sales@specac.co.uk W : www.specac.com
 Specac is part of Smiths Group plc

23 - 05/11