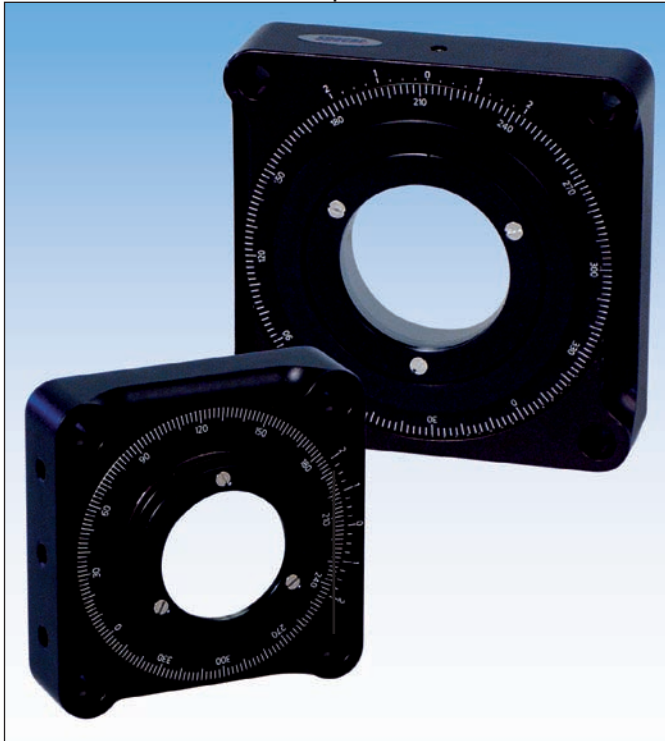


Rotators

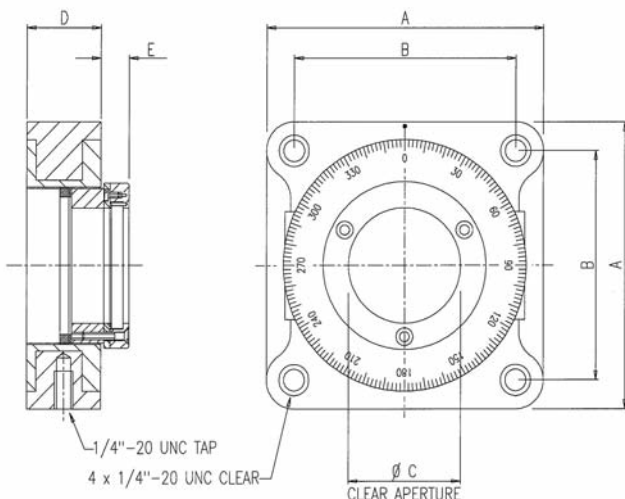


These precision rotators are designed for mounting substrate polarizers.

They feature dual thrust roller bearing construction for stiffness and positive feel.

The apertures are threaded right through allowing optical components to be mounted between two threaded retaining rings and two Delrin cushion washers.

Graduated in 2 degree intervals these rotators can either be post or bench mounted.



Ordering Information

	A	B	C	D	E
GS57340	95	76.2	25.5	25.4	6
GS57350	95	76.2	38.5	25.4	9.7
GS57360	121	101.6	50.5	28	6
GS57370	121	101.6	67	28	15.7

THE SOLUTION IS SPECAC WHAT'S THE PROBLEM?

smiths
A part of Smiths Group plc

Specac

www.specac.com



SPECAC LIMITED,
River House, 97 Cray Ave, St. Mary Cray,
Orpington, Kent BR5 4HE U.K.
T : +44 (0)1689 873134
F : +44 (0)1689 878527
E : sales@specac.com
Registered No. 1008689 England

SPECAC INC.,
50 Sharpe Drive,
Cranston, RI 02920 U.S.A.
T : Toll Free +1 800 447 2558
E : sales@specac.com
W : www.specac.com
Specac is part of Smiths Group plc