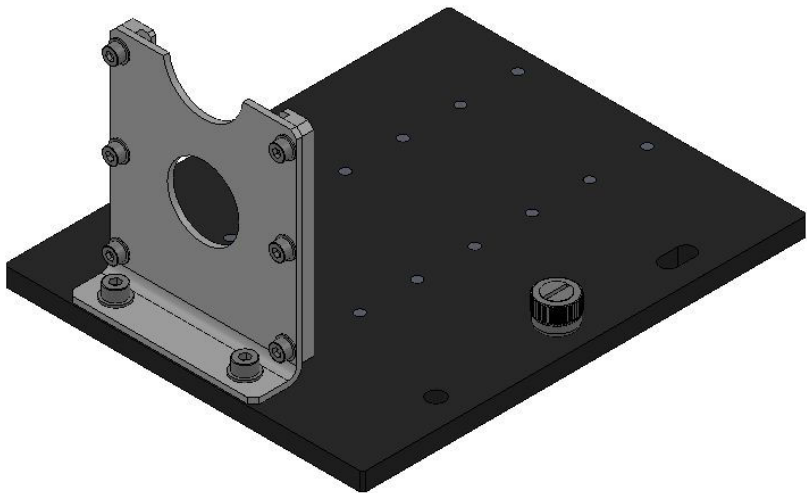




3" x 2" Slide Mount Adapter Baseplate For Benchmark™ Baseplates

User Manual



2I-16300-2

3" x 2" Slide Mount Adapter Baseplate For Benchmark™ Baseplates

User Manual

3" x 2" Slide Mount Adapter Baseplate for Benchmark™ Baseplates P/N's GS16300 and GS16301

CONTENTS

1. INTRODUCTION	3
2. CHECKLIST OF CONTENTS	4
3. USE OF THE 3" X 2" SLIDE MOUNT BASEPLATE	5
4. SPARE PARTS FOR 3" X 2" SLIDE MOUNT BASEPLATE.....	9

© April 2016 Specac Ltd. All rights reserved.

Brilliant Spectroscopy™ is a trademark of Specac Ltd.
Other product names mentioned herein may be trademarks
of their respective owners.

1. Introduction

Thank you for buying a product from Specac.

The 3" x 2" Slide Mount Adapter Baseplate P/N GS16300 has been designed to be attached to any Specac Benchmark™ baseplate type mount plate to offer a 3" x 2" slide mount system for correct installation of a suitable accessory into the sample compartment of a wide range of commercially available FTIR spectrometer systems.

With the 3" x 2" Slide Mount Adapter Plate fitted to a Benchmark™ baseplate, the 3" x 2" slide mount plate itself can be positioned anywhere along the central beam pathlength within the spectrometer sample compartment. The baseplate part has eight pairs of tapped holes for a different fixed location of the 3" x 2" slide mount on the baseplate. This allows for correct positioning of the 3" x 2" slide mount plate part to correspond with the focal point of any IR beam passing through the sample compartment.

In addition the capability to reposition the 3" x 2" slide mount plate part in a sample compartment can allow for accommodation of different size transmission type accessories to be used (e.g. different pathlength liquid sample cells and gas cells), such that the 3" x 2" slide mount plate part itself can be positioned for installation of the accessory and to allow an IR beam focus to be at the central point (or as near to) for the pathlength of the accessory itself.

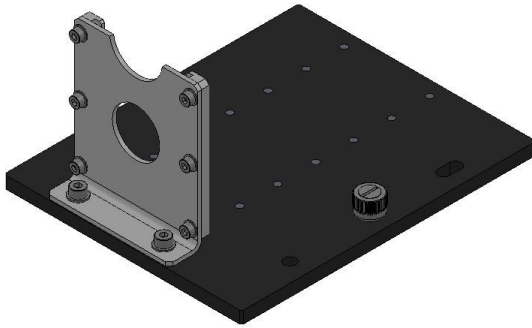
The 3" x 2" Slide Mount Adapter Baseplate as P/N GS16300 fits to **all** of the Benchmark™ baseplates that are offered for installation into specific spectrometer instrument makes and models to provide a 3" x 2" slide mount plate for the spectrometer system itself. However, if the Specac 25 Reflection ATR Accessory P/N GS11000 is to be installed via a 3" x 2" slide mount Adapter Plate for Benchmark baseplates, this accessory requires its own special 3" x 2" Slide Mount Adapter baseplate P/N GS16301.

Both types of 3" x 2" Slide Mount Adapter Baseplates are explained in this user manual.

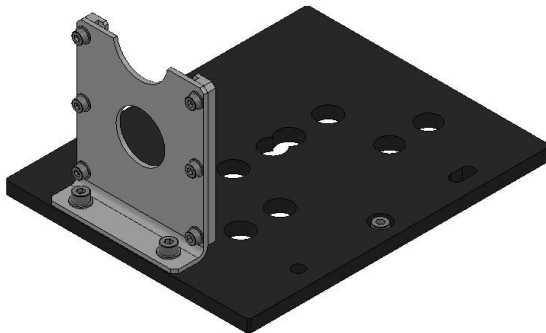
2. Checklist of Contents

Check that the following items have been supplied in the packaging for a 3" x 2" Slide Mount Adapter baseplate.

- P/N GS16300 3" x 2" Slide Mount Adapter Baseplate.



- P/N GS16301 3" x 2" Slide Mount Adapter Baseplate for use with 25 Reflection ATR Accessory P/N GS11000 only.



Remove the baseplate parts carefully from their packaging and prepare the items for use.

3. Use of the 3" x 2" Slide Mount Baseplate

Both baseplates P/N GS16300 and P/N GS16301 have been designed to be attached to the pillars, posts or location stud fixings of a Specac Benchmark™ type of Baseplate.

Fig 1. shows the 3" x 2" Slide Mount Baseplate (1) (P/N GS16300) to be mounted onto a typical example of Benchmark™ baseplate (2). (The Benchmark™ baseplate example is for a Nicolet spectrometer - our P/N 549-093).

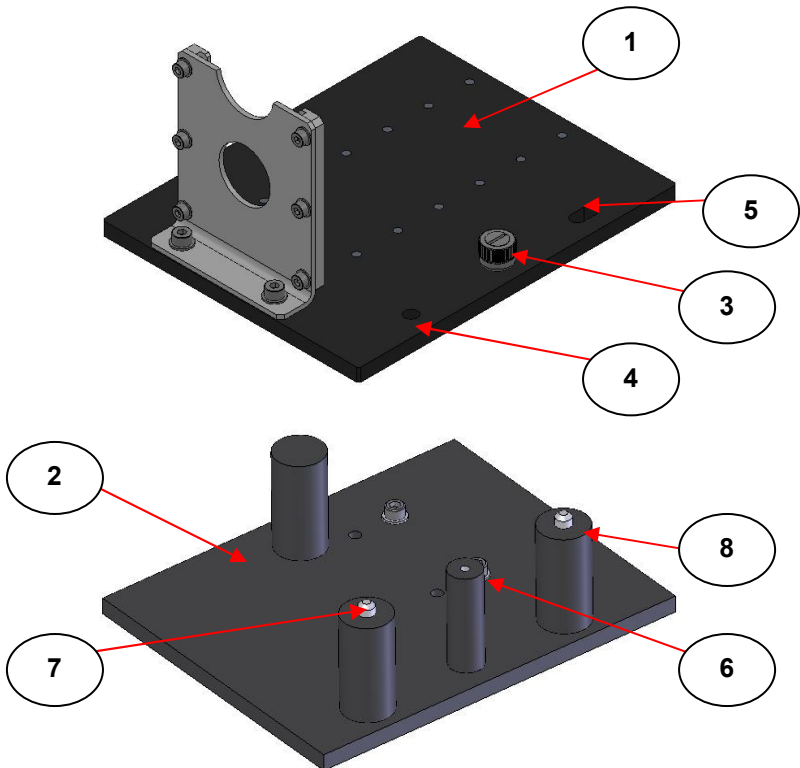


Fig 1. Fitting of 3" x 2" Slide Mount Adapter Baseplate (1) to a Benchmark™ Baseplate (2)

The fixing thumbscrew (3) on baseplate (1) aligns with the central screw hole on the pillar (6) of the Benchmark™ baseplate (2) for the orientation of the baseplates as shown in Fig 1. In this orientation the circular hole (4) and slot hole (5) on baseplate (1) locate with the fixing studs on pillars (7) and (8) respectively of the Benchmark™ baseplate (2).

Tightening of the thumbscrew (3) to the pillar (6) secures the two baseplates together.

For **any** installation it is advised that the Benchmark™ baseplate itself has already been secured and installed into position correctly within the spectrometer sample compartment before the 3" x 2" Slide Mount Adapter Plate is attached. (For installation of a Benchmark™ baseplate please refer to the Specac Benchmark™ Baseplate Installation Guide P/N 21-549-000-2.)

Repositioning of the 3" x 2" Slide Mount on P/N GS16300

The 3" x 2" Slide Mount Adapter Baseplate P/N GS16300 carries a 3" x 2" slide mount assembly (9) which is attached to the baseplate (1) by two fixing M4 X 8mm cap head screws (10). (See Fig 2).

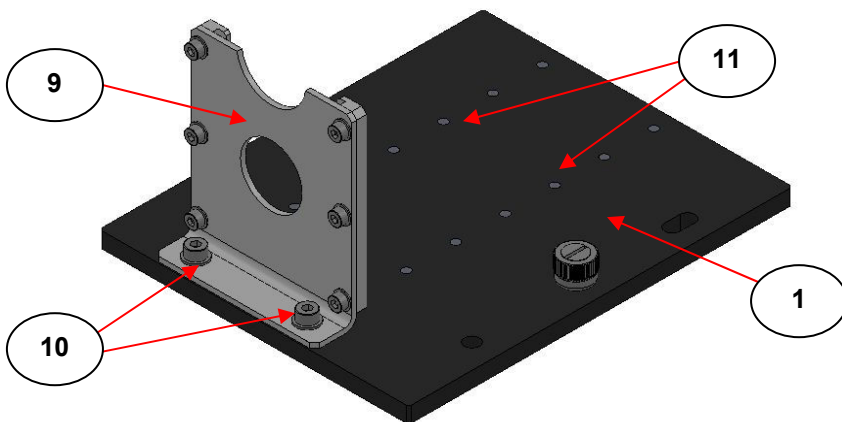


Fig 2. 3" x 2" Slide Mount Adapter Baseplate

There are eight pairs of tapped fixing holes (11) on the baseplate (1) and the slide mount (9) is fixed, when the baseplate is supplied as new, to the first pair of holes (11) by the screws (10) on the left hand side as seen from Fig 2. To move the slide mount (9) to a different position for optimum beam focus positioning of an accessory when installed into the spectrometer, the two screws (10) are undone and the slide mount (9) is refitted into position using the most appropriate set of holes by retightening of the screws (10).

P/N GS16301 3" x 2" Slide Mount Adapter Baseplate

Repositioning of the 3" x 2" slide mount (9) can only be done for baseplate P/N GS16300. The slide mount (9) on baseplate P/N GS16301 (see Fig 3.) must stay in its fixed position to allow for the P/N GS11000 25 Reflection ATR Accessory to be installed and operate correctly. The hole cut outs in the baseplate (12) are specifically to accommodate the 25 Reflection ATR Accessory P/N GS11000 and there is a cap head screw (13) used in place of the thumbscrew fixing (3) which secures the baseplate (12) to a Benchmark™ baseplate.

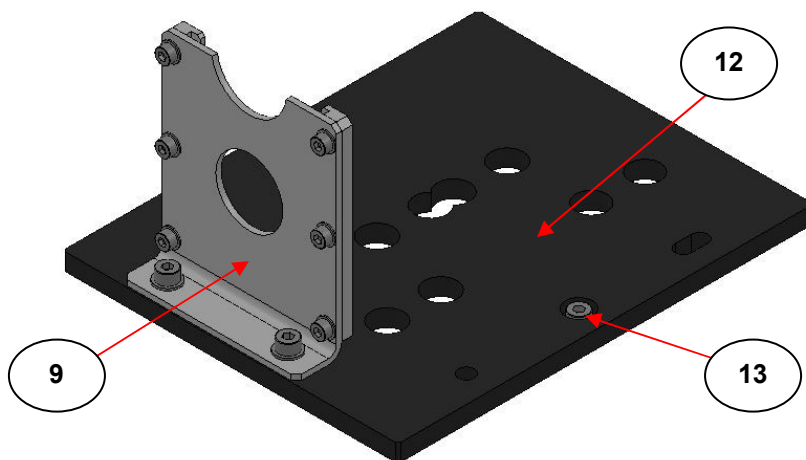


Fig 3. P/N GS16301 3" x 2" Slide Mount Adapter Baseplate

4. Spare Parts for 3" x 2" Slide Mount Baseplate

P/N GS16300 3" x 2" Slide Mount Adapter Baseplate for attachment to a Benchmark™ baseplate.

P/N GS16301 3" x 2" Slide Mount Adapter Baseplate for use with P/N GS11000 25 Reflection ATR Accessory only for attachment to a Benchmark™ baseplate.

Worldwide Distribution

France

Eurolabo - Paris.
Tel.01 42 08 01 28
Fax 01 42 08 13 65
email: contact@eurolabo.fr

Germany

L.O.T. - Oriel GmbH & Co,
KG - Darmstadt
Tel: 06151 88060
Fax: 06151 880689
email:info@LOT-Oriel.de
Website: www.LOT-Oriel.com/de

Japan

Systems Engineering Inc. -Tokyo
Tel: 03 3946 4993
Fax: 03 3946 4983
email:systems-eng@systems-eng.co.jp
Website: www.systems-eng.co.jp

Spain

Teknokroma S.Coop C. Ltda
Barcelona
Tel: 93 674 8800
Fax: 93 675 2405
email: comercial@teknokroma.es

Switzerland

Portmann InstrumentsAG
Biel-Benken
Tel: 061 726 6555
Fax: 061 726 6550
email: info@portmann-instruments.ch
Website:www.portmann-instruments.ch

USA

SPECAC INC.
414 Commerce Drive
Suite 175,
Fort Washington,
PA 19034, USA
Tel: 215 793 4044
Fax: 215 793 4011

United Kingdom

Specac Ltd. - London
River House, 97 Cray Avenue,
Orpington
Kent BR5 4HE
Tel: +44 (0) 1689 873134
Fax: +44 (0) 1689 878527
Registered No. 1008689 England

Brilliant Spectroscopy™

www.specac.com

SPECAC INC.

414 Commerce Drive
Suite 175,
Fort Washington,
PA 19034, USA
Tel: 215 793 4044
Fax: 215 793 4011

SPECAC LTD.

River House, 97 Cray Avenue,
Orpington
Kent BR5 4HE
Tel: +44 (0) 1689 873134
Fax: +44 (0) 1689 878527
Registered No. 1008689 England